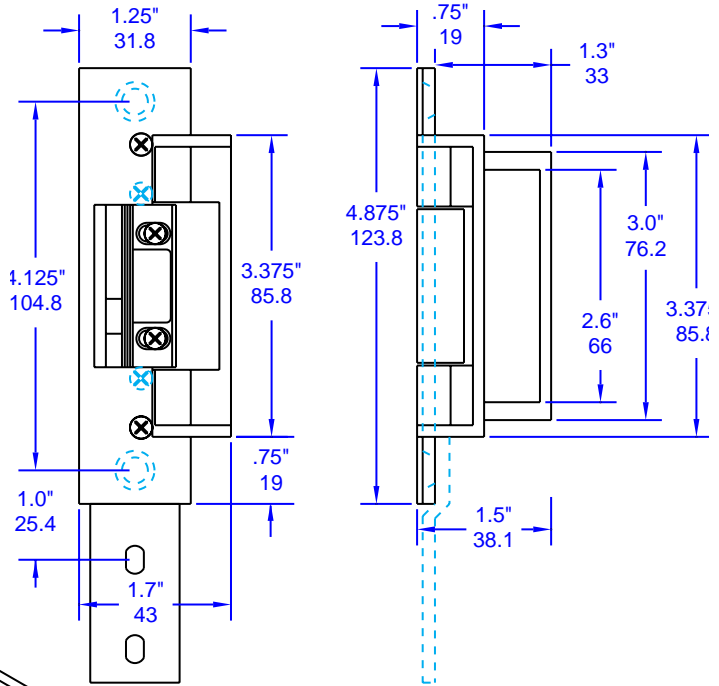
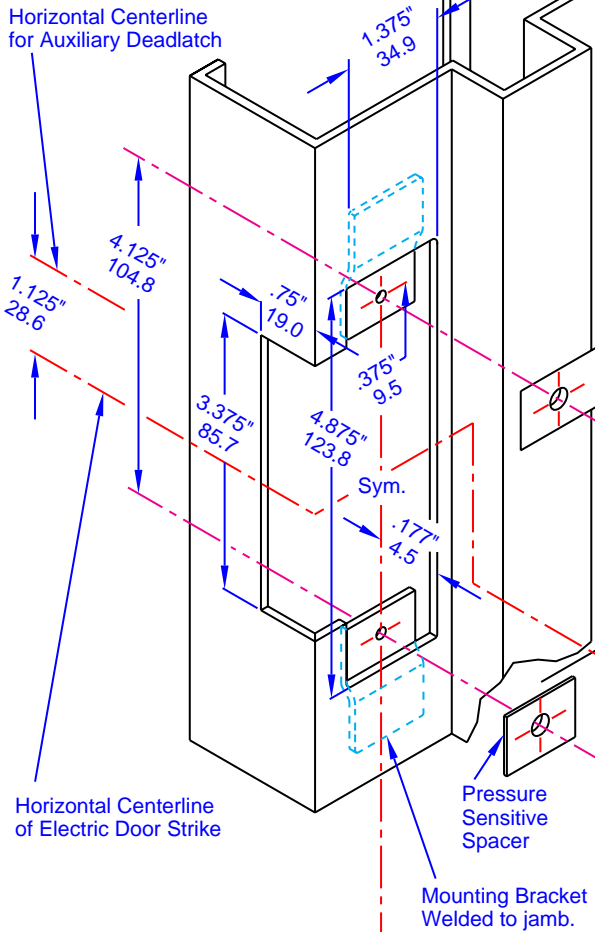




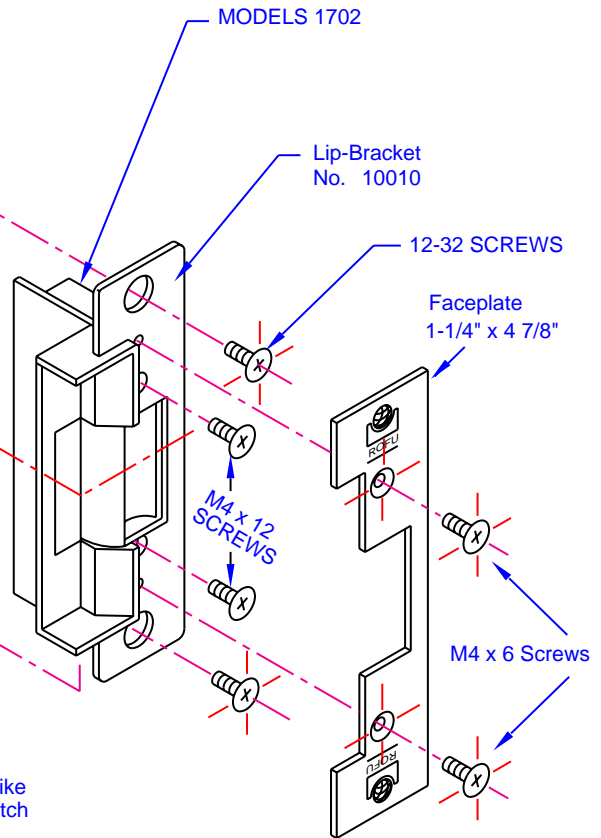
LINE ART FOR 1702



HOLLOW METAL JAMB PREPARATION



INSTALLATION



The mounting screws of the electric strike and the mounting screws of the deadlatch are located on the vertical centerline.

NOT TO SCALE - TECHNICAL DATA SUBJECT TO CHANGE WITHOUT NOTICE