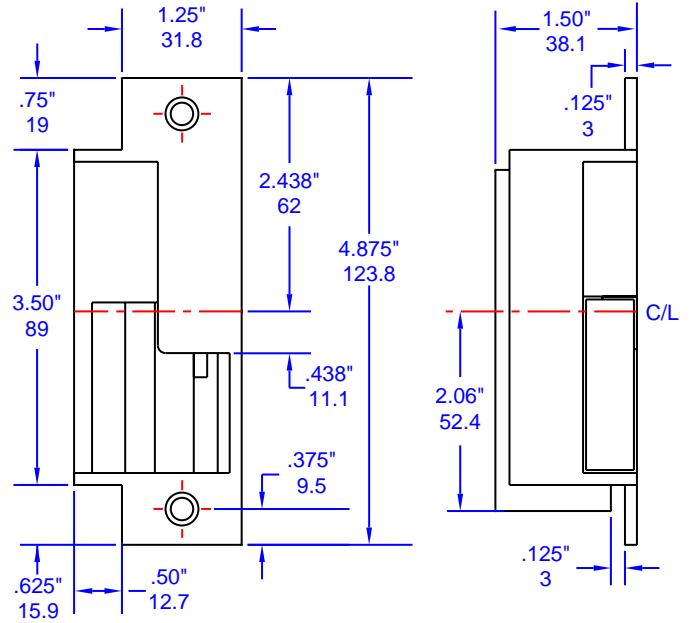


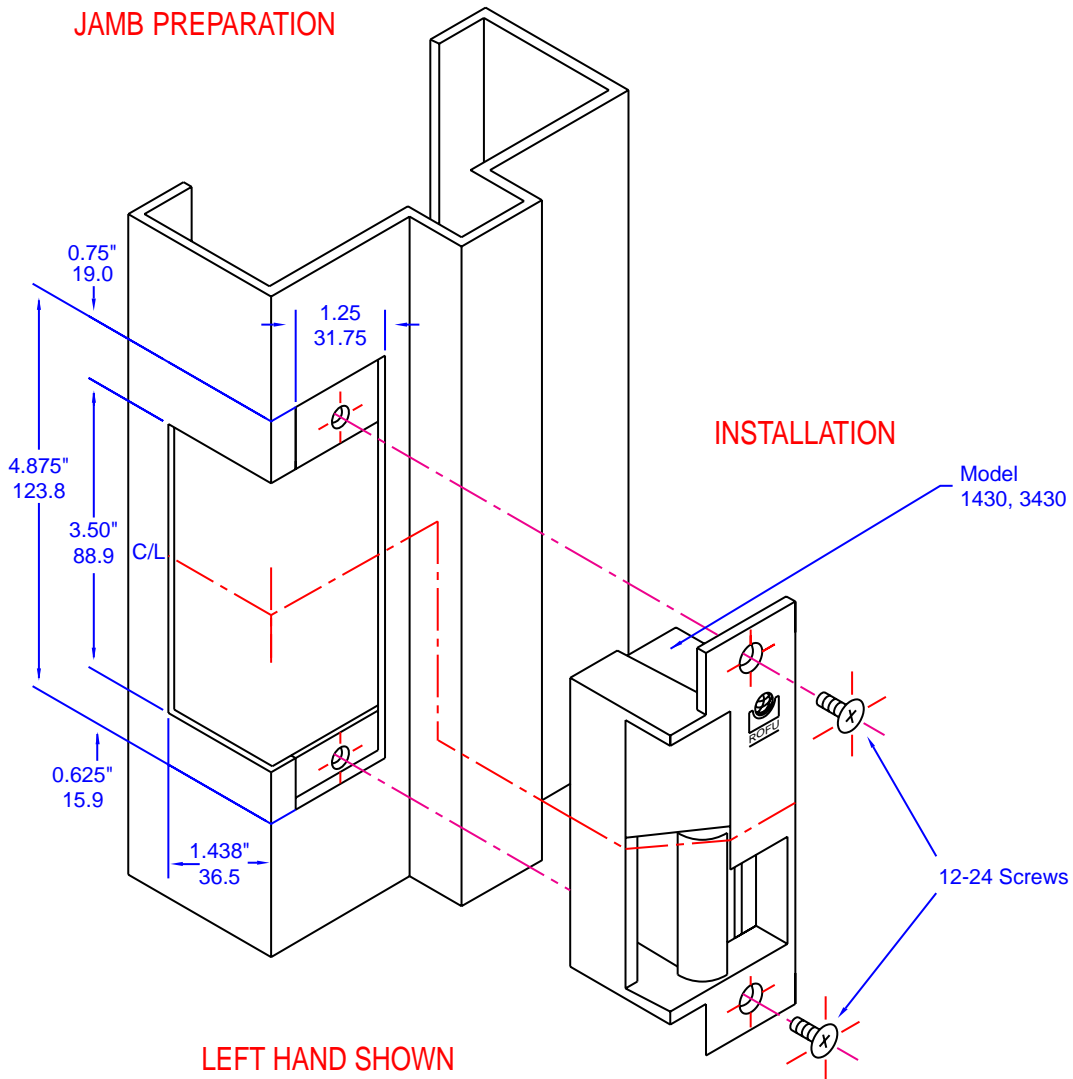


LINE ART FOR 1430/3430



LEFT HAND

**HOLLOW METAL
JAMB PREPARATION**



LEFT HAND SHOWN

NOT TO SCALE - TECHNICAL DATA SUBJECT TO CHANGE WITHOUT NOTICE