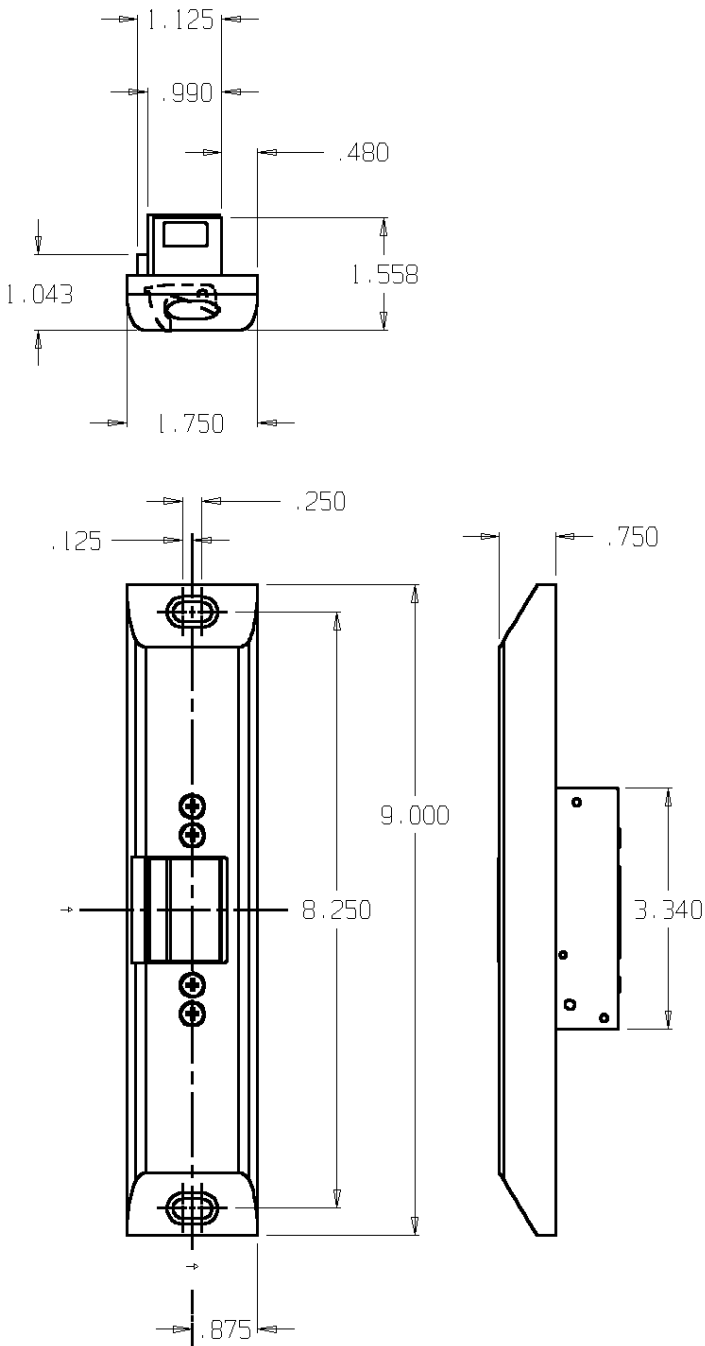
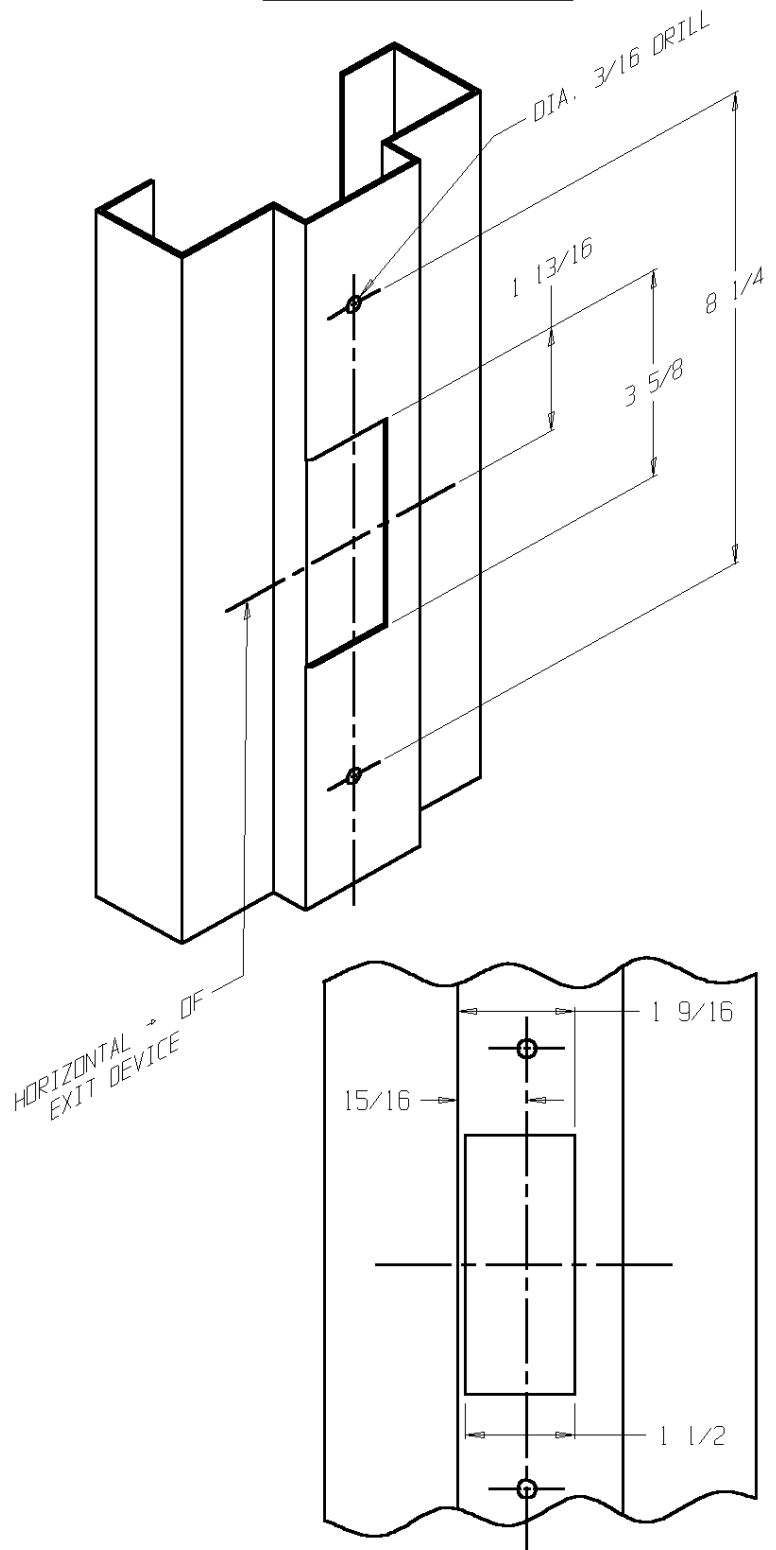


ELECTRIC STRIKE DIMENSIONS



JAMB PREPARATION



ADAMS RITE MANUFACTURING COMPANY
POMONA, CA. 91767

71R1 ELECTRIC STRIKE
FOR METAL JAMB

REF. INSTRUCTION SHEET NO.: 80-0180-383

TEMPLATE NO.:

52160-0

DATE:

05-25-00